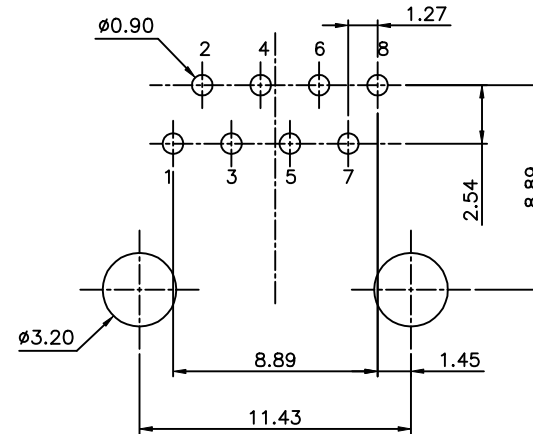
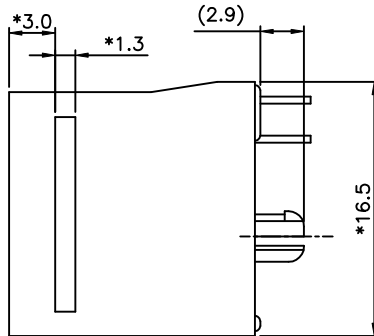
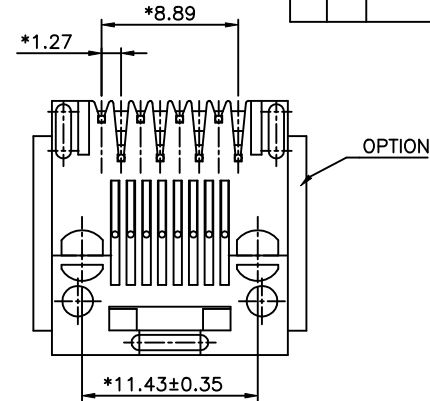
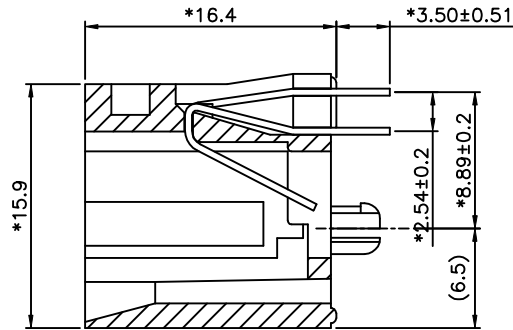
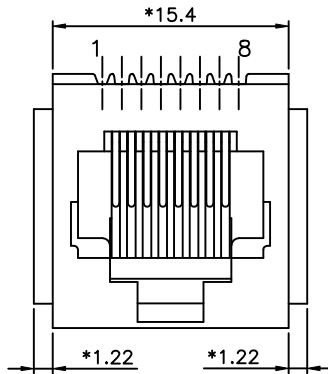


REVISION RECORD				
REV	ECO	DESCRIPTION	DRFT	CHKD



PC Board Layout Component Side Shown

NOTES:

ELECTRICAL:

- VOLTAGE RATING : 125 VAC RMS.
- CURRENT RATING : 1.5 AMP.
- CONTACT RESISTANCE : 30 MILLIOHMS MAX.
- INSULATION RESISTANCE : 1000 MEGOHMS MIN @ 500 VDC.
- DIELECTRIC STRENGTH : 1000 VAC RMS 60Hz, 1MIN.

MECHANICAL:

- HOUSING MATERIAL : GLASS FILLED POLYESTER UL94V-0.
- CONTACT MATERIAL : PHOSPHOR BRONZE $\phi 0.46\text{mm}$.
- PLATING : GOLD PLATING OVER NICKEL.
- OPERATING LIFE : 750 CYCLES MIN.
- PCB RETENTION PRE-SOLDER : 1 LB MIN.
- PCB RETENTION POST-SOLDER: 10 LBS MIN.

ENVIRONMENTAL:

- STORAGE : -40°C TO +85°C.
- OPERATION: 0°C TO 70°C.
- WAVE SOLDER TEMPERATURE: 230-250°C(3-5SECOND).

MATES WITH MODULAR PLUG CONFORMING TO FCC PART 68, SUBPART F.

CUL FILE NO. E163191

PART NUMBER: E528X-000XXX-L

- | | | |
|---------------|------------------|-----------|
| 4-4C(3.4.5.6) | 1- 3u" | 2- 6u" |
| 8-8C | 3-15u" | 4-30u" |
| | 5-50u" | 6-Pd 20u" |
| 0--PBT+15% BK | 3-W/PANEL STOP | |
| 5--PBT+30% GY | 4-W/O PANEL STOP | |

<p>MM (INCH)</p> <p>TOLERANCES EXCEPT AS NOTED</p>		<p>DFTO SAMMY DATE 03/16/05</p> <p>CHKDQIANPU DATE2005/3/17</p> <p>MFO DATE</p> <p>APPVILUSHENG DATE2005/3/17</p>	<p>FULL RISE ELECTRONIC CO., LTD</p>	
<p>MM</p> <p>.0 ±0.20</p> <p>.00 ±0.15</p> <p>.000 ±0.075</p>	<p>±</p> <p>±</p> <p>±</p>	<p>MATERIAL :</p> <p>QT'Y :</p> <p>FINISH :</p> <p>SCALE :</p>	<p>TITLE</p> <p>TOP ENTRY PCB JACK 8P</p> <p>DRAWING NO. GE523012-LC</p> <p>/PART NO. SEE NOTE</p>	
<p>DETAILED LISTS</p> <p>ANGLES ±</p> <p>THIRD ANGLE PROJECTION</p>		<p>SIZE A3</p> <p>REV 0</p> <p>DO NOT SCALE DRAWING</p> <p>SHEET X OF Y</p>	<p>8</p> <p>7</p> <p>6</p> <p>5</p> <p>4</p> <p>3</p> <p>2</p> <p>1</p>	